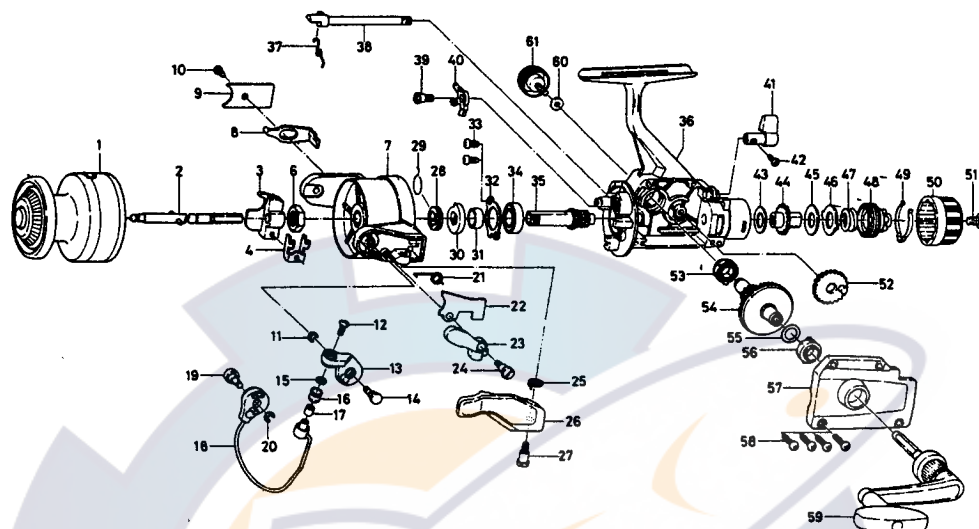


SPINNING REEL **GS1655/2055**



Key No.	Parts No.	Parts Name	Key No.	Parts No.	Parts Name
1	E08-6502	Spool*	36	E08-5801	Body
2	B83-9801	Main shaft	37	144-0321	Anti-reverse cam spring
3	E08-7801	Oscillating slider	38	B83-6001	Anti-reverse cam
4	B93-7202	Oscillating slider retainer	39	B83-6301	Anti-reverse pawl screw
6	B10-5701	Rotor nut	40	B74-5501	Anti-reverse pawl
7	B82-1901	Rotor	41	E08-6101	Anti-reverse lever
8	B83-6701	Bail trip lever	42	B12-8201	Anti-reverse lever screw
9	B76-9703	Bail trip cover	43	B46-9504	Drag washer A
10	B83-4402	Bail trip cover screw	44	B76-9803	Click gear
11	320-5901	Bail arm screw retainer	45	373-3710	Drag washer B
12	B67-9302	Line roller screw	46	B83-9501	Eared washer
13	B67-4601	Bail arm	47	B98-2901	Drag coil spring
14	B83-3801	Bail arm screw	48	B77-0004	Drag screw
15	B55-4301	Line roller washer A	49	B77-0301	Drag washer spring
16	250-3921	Line roller	50	B83-9604	Drag knob
17	B45-1501	Line roller bushing	51	352-1105	Drag knob spring screw
18	B83-6501	Bail	52	B74-3701	Oscillating gear
19	B83-4201	Bail trip cam screw	53	B84-3901	Bushing
20	320-5901	Bail trip cam screw retainer	54	B83-6801	Drive gear
21	B76-9101	Bail spring	55	373-7800	Drive gear washer
22	B83-6401	Bail spring cover	56	B84-3901	Bushing
23	B76-9301	Trigger plate	57	E08-6201	Side cover
24	B68-8801	Bail spring cover screw	58	B83-5002	Side cover screw
25	B67-5201	Trigger spring	59	E00-2502	Handle
26	B67-5105	Trigger lever	60	B92-4902	Handle lock washer
27	B68-9802	Trigger screw	61	B92-5001	Handle lock screw
28	B68-6401	Spring holder			
29	145-0901	Anti-reverse pawl spring	GS2055 Special Parts		
30	B67-4301	Anti-reverse ratchet	1	E08-7402	Spool*
31	B83-6201	Spacing sleeve	7	B82-2101	Rotor
32	B35-6301	Bearing retainer	8	B83-7301	Bail trip lever
33	B83-4402	Bearing retainer screw	18	B84-0201	Bail
34	636-6011	Ball bearing	36	E08-5802	Body*
35	B83-6101	Pinion gear	57	E08-6203	Side cover*
			59	E00-2802	Handle

* 1986 Reel Model